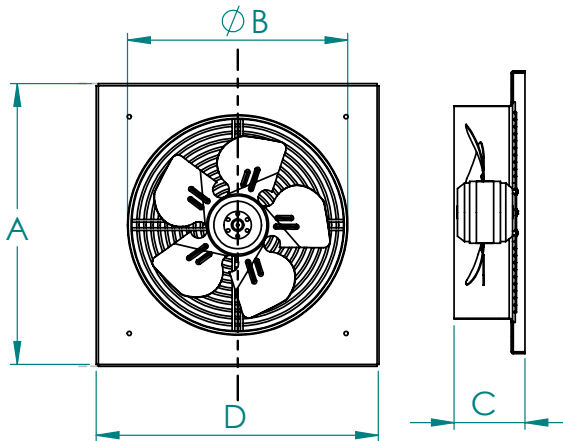


-PDKAF-
DIŞTAN ROTORLU KARE AKSIYEL FANLAR



MODEL	GERİLİM (VOLT/HZ)	GÜÇ (WATT)	AKIM (A)	DEVİR (d/d)	DEBİ (m3/h)	SES (DBA)
PDKAF-2M-200	230/50	65	0,33	2700	850	70
PDKAF-2M-250	230/50	120	0,51	2580	1620	73
PDKAF-2M-300	230/50	145	0,65	2650	2500	75
PDKAF-M-350	230/50	210	1,08	2670	4200	78



MODEL	A	B	C	D
PDKAF-2M-200	260	210	87	170
PDKAF-2M-250	320	260	100	220
PDKAF-2M-300	395	335	100	290
PDKAF-2M-350	440	380	100	340

