

ROOF FANS

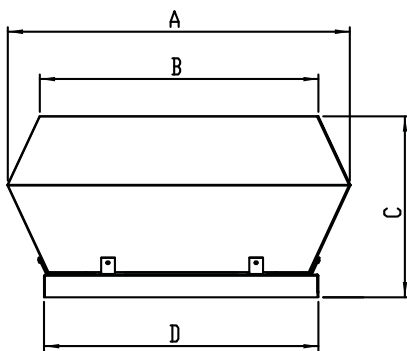
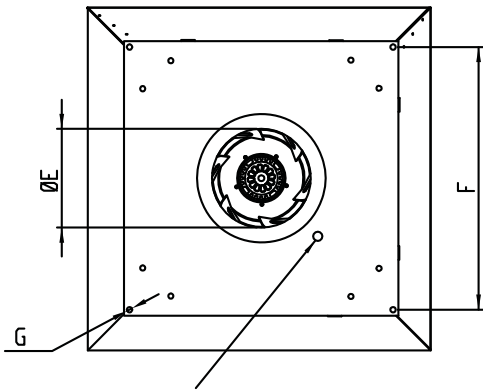


BRF-V

AC CENTRIFUGAL ROOF FANS Vertical Outlet

Roof Mounted Fans are perfect solution for ventilation needs where "polluted air exhaust" is at a premium. BRF-V roof fans are perfect for the places where air can not be ventilated horizontally. Rain drops are vented out by venting holes to prevent them get inside the chimney.

Technical Drawings



MATERIAL

: The housing is made of galvanized sheet, backward curved impeller is made of also galvanized sheet metal.

INSULATION CLASS

: Class B or Class F

DIRECTIVE

: EN 60335-1, EN 60335-2-80

SPEED CONTROL

: Speed can be adjusted using an optional controller.

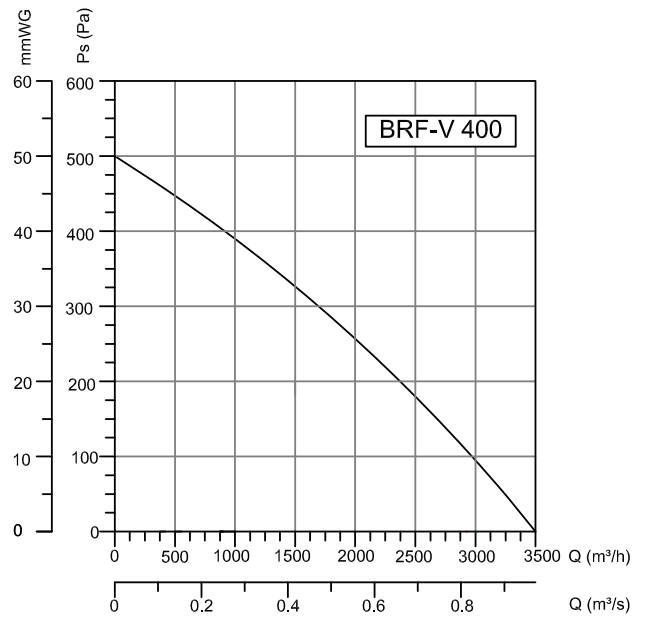
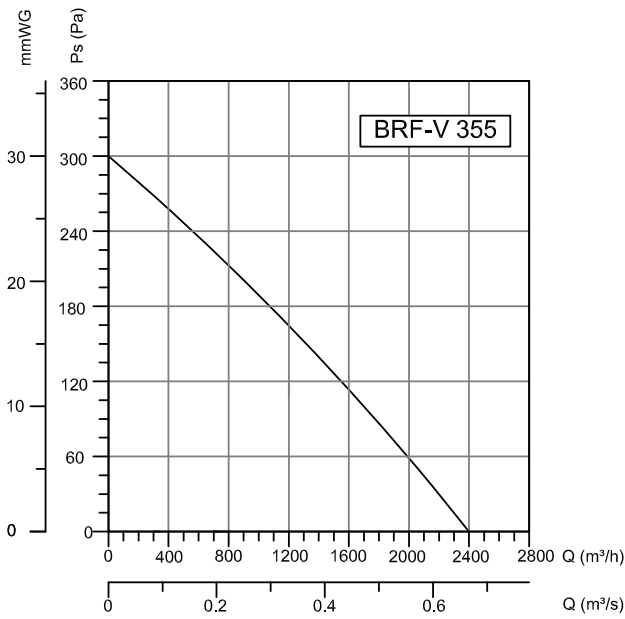
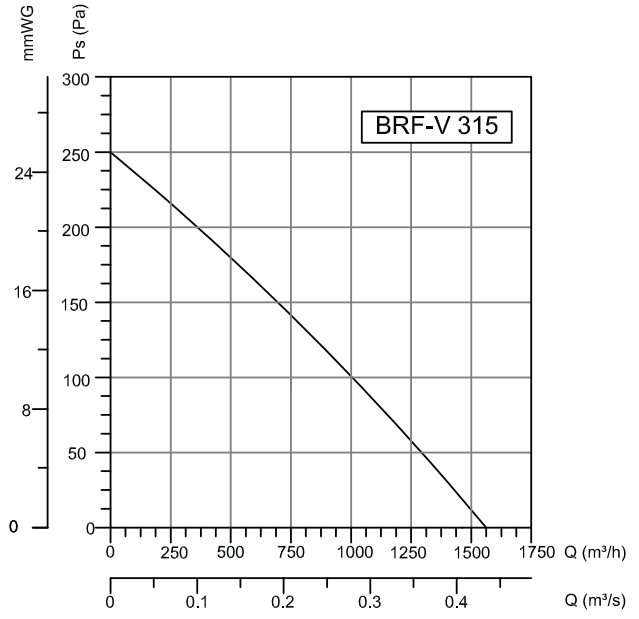
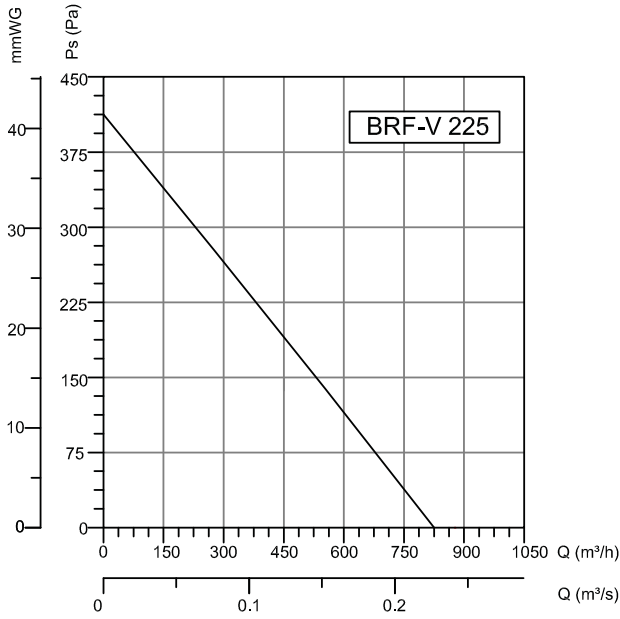
APPLICATION AREAS

: For industrial and constructional applications, in factories, hospitals, night clubs, offices, kitchens, bathrooms, theaters, condominiums, restaurants, etc.



TYPE	A	B	C	D	E	F	G
BRF-V 225	350	295	190	335	146	245	10
BRF-V 315	552	450	330	505	185	450	10
BRF-V 355	745	607	385	595	234	450	10
BRF-V 400	745	607	385	595	270	450	10
BRF-V 450	900	742	512	665	282	630	10
BRF-V 500	900	742	512	665	320	630	12
BRF-V 560	1190	955	595	946	360	740	12

Dimensions are in (mm)



TYPE	VOLTAGE	FREQUENCY	POWER	CURRENT	CAPACITOR	SPEED	AIR FLOW	SOUND PRESSURE LEVEL	WEIGHT
	V	Hz	W	(A)	(µF)	d/d	m³/h	dB(A)	kg
BRF-V 225	230	50	130	0,6	5	2640	850	40	7
BRF-V 315	230	50	180	0,5	4	1430	1550	54	22
BRF-V 355	230	50	220	1,1	6	1400	2400	56	34
BRF-V 400	230	50	360	1,5	12	1420	3500	59	39
BRF-V 450	230	50	620	2,2	18	1410	5000	60	51
BRF-V 500	380	50	950	2,4	-	1400	7550	62	60
BRF-V 560	380	50	1550	3,1	-	1380	9600	75	99

- DUCT FANS
- ROOF FANS
- AXIAL FANS
- RADIAL FANS
- PLASTIC FANS
- VENTILATORS
- SMOKE EXHAUST SYSTEMS
- ACCESSORIES

ROOF FANS

