

ROOF FANS

BRCF-M

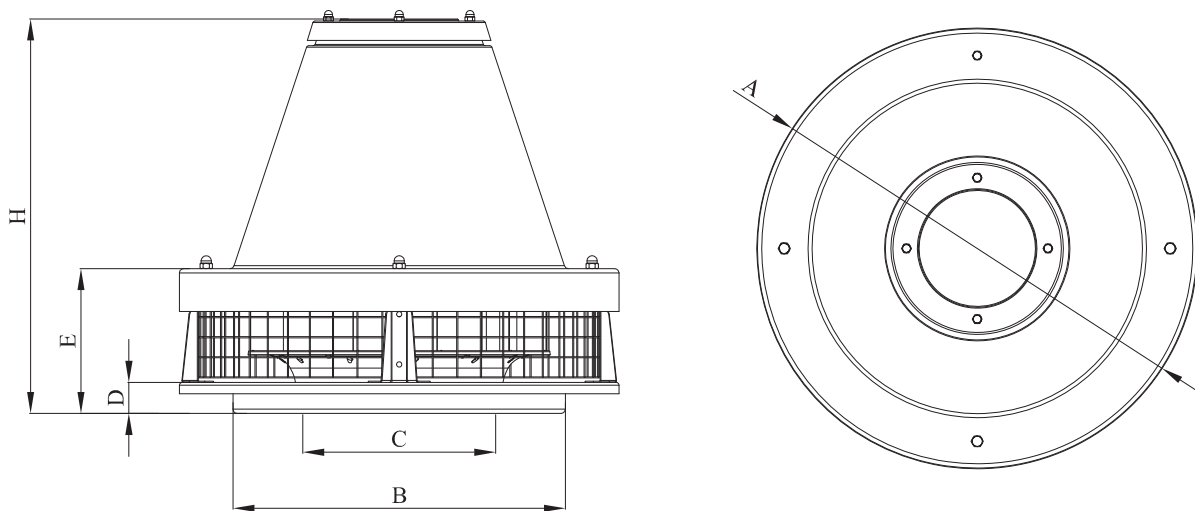
AC DIRECT DRIVE ROOF FANS Horizontal Outlet



BRCF-M is used as a smoke exhaust fan in industrial and residential areas to vent out the hot gases through chimney. Max. transferred air temperature is 120°C.

- MATERIAL** : The housing is made of electrostatic powder coated sheet iron, backward impeller is made of galvanized sheet metal.
- INSULATION CLASS** : Class F
- MAX. AIR TEMPERATURE** : 120°C
- DIRECTIVE** : EN 60335-1, EN 60335-2-80
- SPEED CONTROL** : Speed can be adjusted using an optional controller.
- APPLICATION AREAS** : Fan series is perfect to use in residential, commercial and industrial environments, especially where hot air and smoke is needed to be transferred. For example cafes, restaurants, gymnasiums, shopping centers, hospitals, factories, offices etc.

Technical Drawings



TYPE	A	B	C	D	E	H
BRCF-M 315	410	310	180	30	156	391

Dimensions are in (mm)



DUCT FANS

ROOF FANS

AXIAL FANS

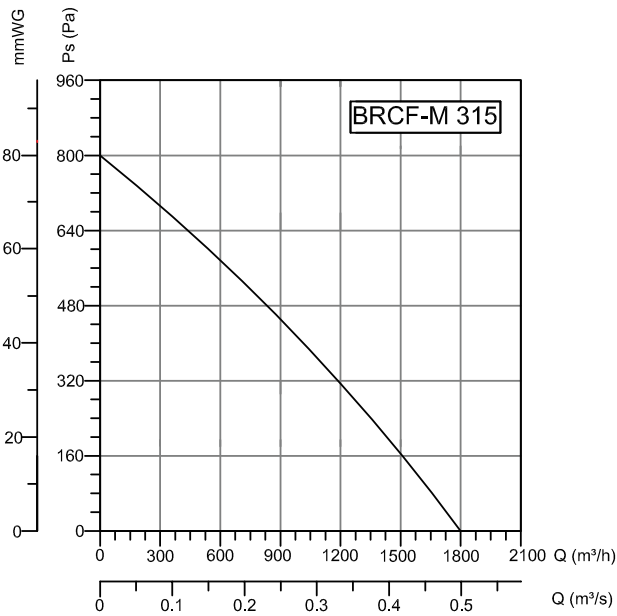
RADIAL FANS

PLASTIC FANS

VENTILATORS

SMOKE EXHAUST SYSTEMS

ACCESSORIES



Accessories



BSC

TYPE	VOLTAGE	FREQUENCY	POWER	CURRENT	CAPACITOR	SPEED	AIR FLOW	SOUND PRESSURE LEVEL	WEIGHT
	V	Hz	W	(A)	(µF)	d/d	m³/h	dB(A)	kg
BRCF-M 315	220	50	250	1,2	8	2900	1800	60	11,3